



PROSSER *Washington*
INCORPORATED 1899

Backflow Prevention



City of Prosser

Building Department

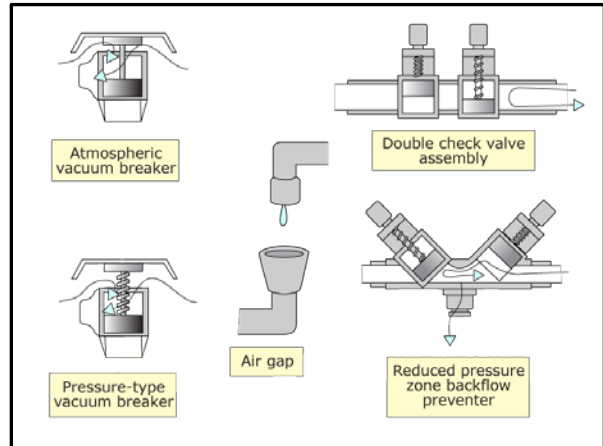
601 7th Street, Prosser, WA 99350

Phone: (509) 786-2332

Introduction

Whether you are installing an underground sprinkler system, an ice machine, or a fire suppression system in your building or on your property, do not forget to include the required backflow prevention device to protect your water supply and/or the public water supply from cross-contamination.

For additional information on requirements that may not be covered in this document, please contact the City of Prosser Water Department at (509) 786-2037.



When is Backflow Prevention Required

The need for backflow prevention varies greatly depending on the type of facility and type of equipment utilized within the building. Simply put, it depends on how a property uses their domestic water. Each application is unique and is determined by a water use survey conducted by the City of Prosser Cross Connection Specialist either during the building plan review phase and/or during the final inspection process prior to issuance of a Certificate of Occupancy for the building.

With that said, the [Washington Administrative Code \(WAC\) 246-290-490](#) Table 9 defines severe high health hazard facilities, which in turn require the highest level of backflow prevention.

Types of Backflow Prevention Devices

There are several types of backflow prevention devices on the market today. Some of these devices provide greater protection than others. Before purchasing one of these devices make sure that you have the correct device for the equipment you are installing. Many times the manufacturer will provide specifications on what type of backflow prevention is required for their equipment, which is based on how the equipment operates.

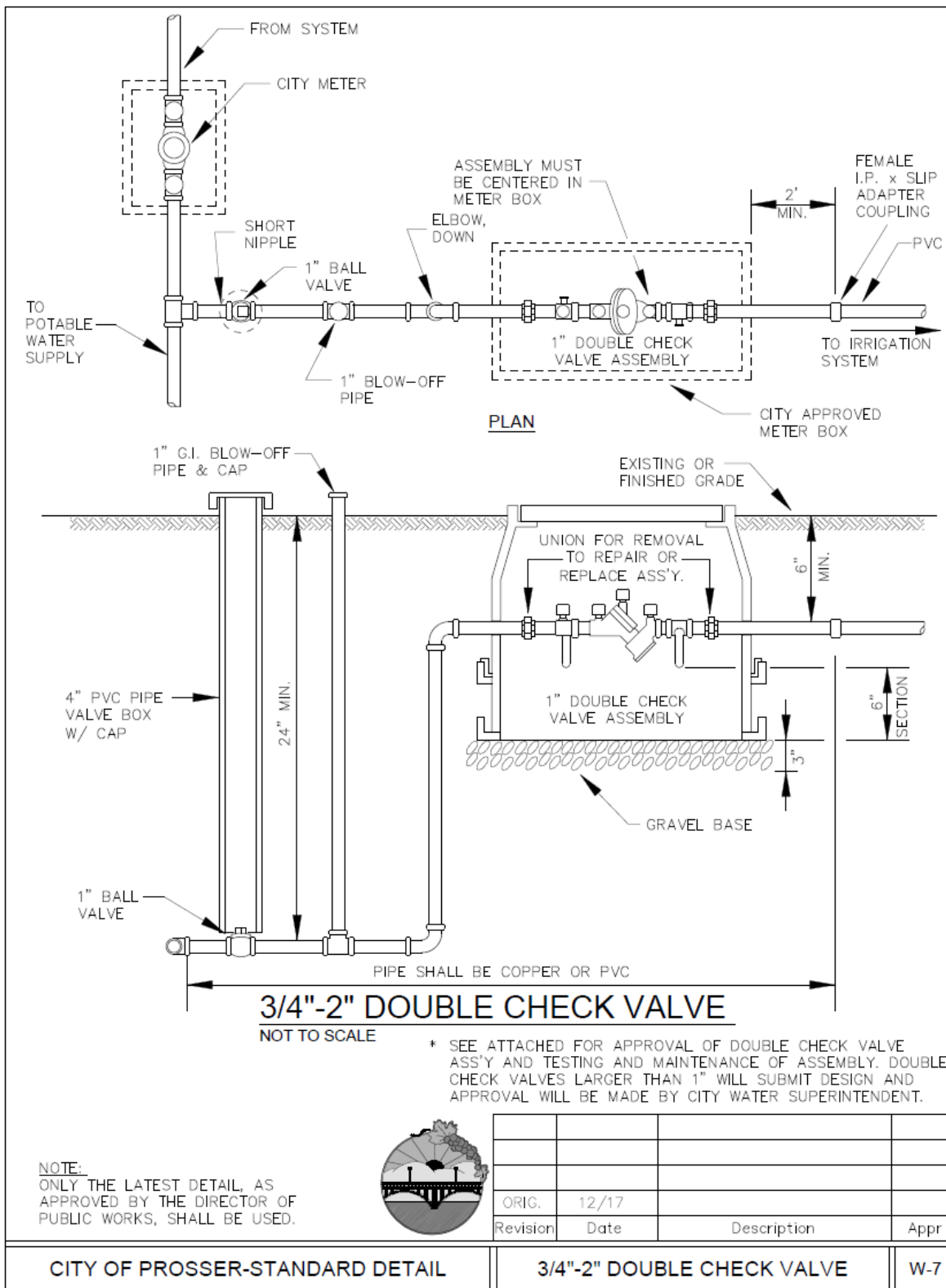
Below are several examples of the type of backflow prevention devices which can be found on the market, each one operates in a different manner to provide protection to the potable water supply. Prior to installation you should first verify that the device you intend to purchase is on [the USC list of approved backflow prevention assemblies](#).

Installation & Testing

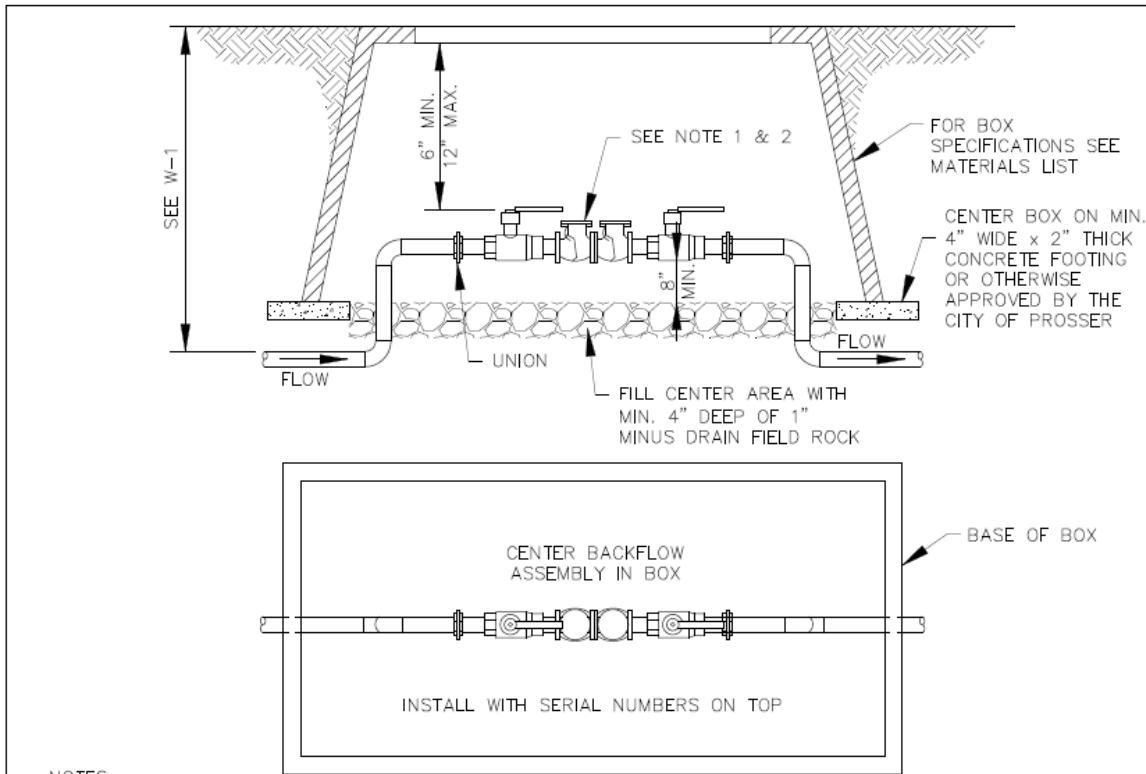
Once the correct backflow prevention device has been purchased, the City of Prosser Cross Connection Specialist will inspect the device to verify that it is installed per the City of Prosser standards (which can be found on the following pages). The inspection is scheduled with the Cross Connection Specialist and should be done prior to a backflow tester arriving and prior to covering the underground piping.

Once the installation has passed inspection, the owner will need to contact a certified backflow tester to perform a test on the system. Once the test has passed and results have been submitted to the Cross Connection Specialist the system is ready for use. Backflow prevention devices are required to be tested on an annual basis and results submitted to the City of Prosser Cross Connection Specialist.

Backflow Prevention For Lawn System



Premise Isolation (1/2" to 2") – Low Health Hazard



NOTES:

1. MUST BE ON THE LATEST USC APPROVED LIST OF BACKFLOW PREVENTION ASSEMBLIES.
2. MUST BE INSTALLED IN THE ORIENTATION AS APPROVED BY THE USC TESTING LAB AND ACCEPTED BY THE DEPARTMENT OF HEALTH.
3. CITY OF PROSSER CROSS CONNECTION SPECIALIST MUST BE CONSULTED PRIOR TO INSTALLATION. PLEASE CALL 786-2037.
4. ASSEMBLY INSTALLATIONS ABOVE GROUND REQUIRE COPPER OR GALVANIZED PIPE MUST HAVE TWO UNIONS.
5. FREEZE PROTECTION IS THE RESPONSIBILITY OF THE OWNER.
6. ASSEMBLIES APPROVED FOR BELOW GROUND INSTALLATION CANNOT BE SUBJECT TO FLOODING.
7. A LADDER IS REQUIRED IF ACCESS OPENING TO FLOOR EXCEEDS 36 INCHES.
8. THE BACKFLOW ASSEMBLY IS TO BE TESTED AT THE TIME OF INSTALLATION BY A CERTIFIED TESTER APPROVED BY THE CITY UNLESS PRE-APPROVED BY THE CROSS CONNECTION SPECIALIST.
9. THE IRRIGATION SUPPLY VALVE IS TO BE NO LESS THAN 24" OUTSIDE OF THE METER BOX ON 3/4" AND 1" SERVICES.
10. THESE BACKFLOW PREVENTION ASSEMBLY INSTALLATION STANDARDS REFLECT MINIMUM REQUIREMENTS TO COMPLY WITH WASHINGTON DEPARTMENT OF HEALTH REGULATIONS (WAC 246-290-490) AND UNIFORM PLUMBING CODE. UNAPPROVED DEVIATION MAY RESULT IN THE CITY REJECTING THE INSTALLATION AND THE CERTIFICATE OF OCCUPANCY AS WELL. ALL REQUESTS FOR DEVIATION TO THESE STANDARDS MUST BE SUBMITTED IN WRITING AND APPROVED BY THE CITY'S CROSS CONNECTION SPECIALIST.

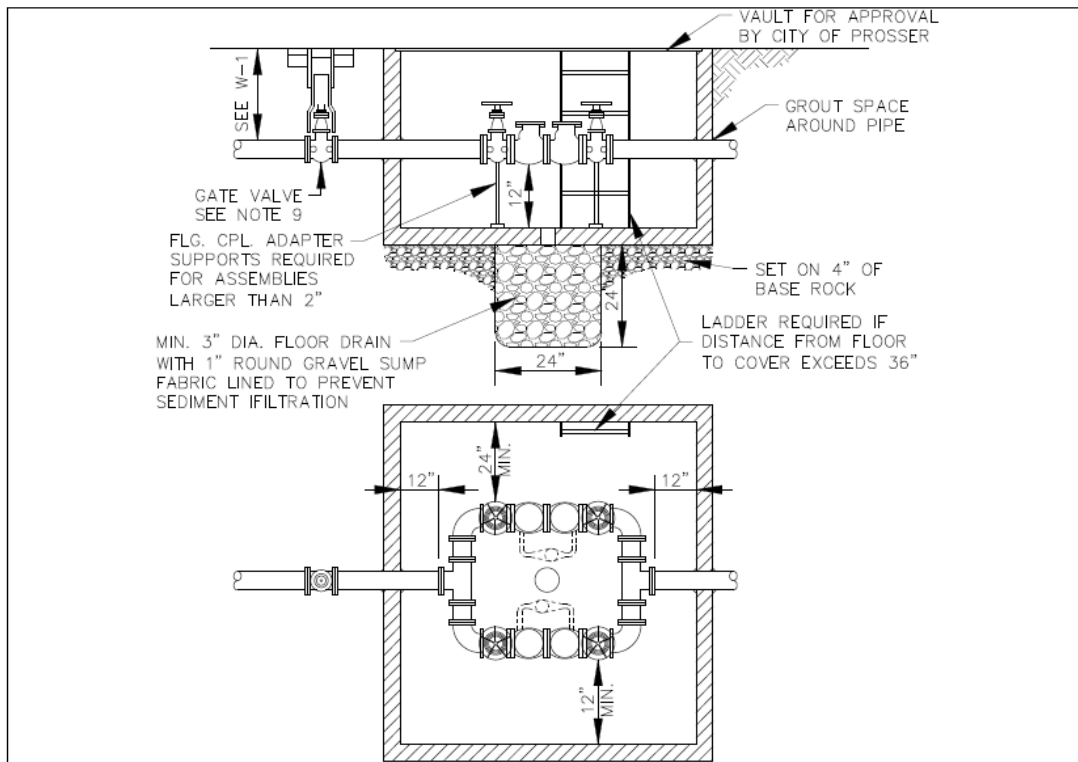
NOTE:
 ONLY THE LATEST DETAIL, AS APPROVED BY THE DIRECTOR OF PUBLIC WORKS, SHALL BE USED.



ORIG.	12/17		
Revision	Date	Description	Appr

CITY OF PROSSER-STANDARD DETAIL	DCVA INSTALLATION 1/2" TO 2"	W-11
--	-------------------------------------	-------------

Premise Isolation (Greater than 2”) – Low Health Hazard with bypass



NOTES:

1. MUST BE ON THE LATEST USC APPROVED LIST OF BACKFLOW PREVENTION ASSEMBLIES.
2. MUST BE INSTALLED IN THE ORIENTATION AS APPROVED BY THE USC TESTING LAB AND ACCEPTED BY THE DEPARTMENT OF HEALTH.
3. CITY OF PROSSER CROSS CONNECTION SPECIALIST MUST BE CONSULTED PRIOR TO INSTALLATION. PLEASE CALL 786-2037.
4. FREEZE PROTECTION IS THE RESPONSIBILITY OF THE OWNER.
5. ASSEMBLIES APPROVED FOR BELOW GROUND INSTALLATION CANNOT BE SUBJECT TO FLOODING.
6. THE BACKFLOW ASSEMBLY IS TO BE TESTED AT THE TIME OF INSTALLATION BY A CERTIFIED TESTER APPROVED BY THE CITY UNLESS PRE-APPROVED BY THE CROSS CONNECTION SPECIALIST.
7. ALL VAULT WALL PENETRATIONS ARE TO BE GROUTED INSIDE AND OUT.
8. IF MAIN VALVE IS LOCATED WITHIN 10' OF THE VAULT, THIS VALVE IS NOT REQUIRED.
9. THESE BACKFLOW PREVENTION ASSEMBLY INSTALLATION STANDARDS REFLECT MINIMUM REQUIREMENTS TO COMPLY WITH WASHINGTON DEPARTMENT OF HEALTH REGULATIONS (WAC 246-290-490) AND UNIFORM PLUMBING CODE. UNAPPROVED DEVIATION MAY RESULT IN THE CITY REJECTING THE INSTALLATION AND THE CERTIFICATE OF OCCUPANCY AS WELL. ALL REQUESTS FOR DEVIATION TO THESE STANDARDS MUST BE SUBMITTED IN WRITING AND APPROVED BY THE CITY'S CROSS CONNECTION SPECIALIST.

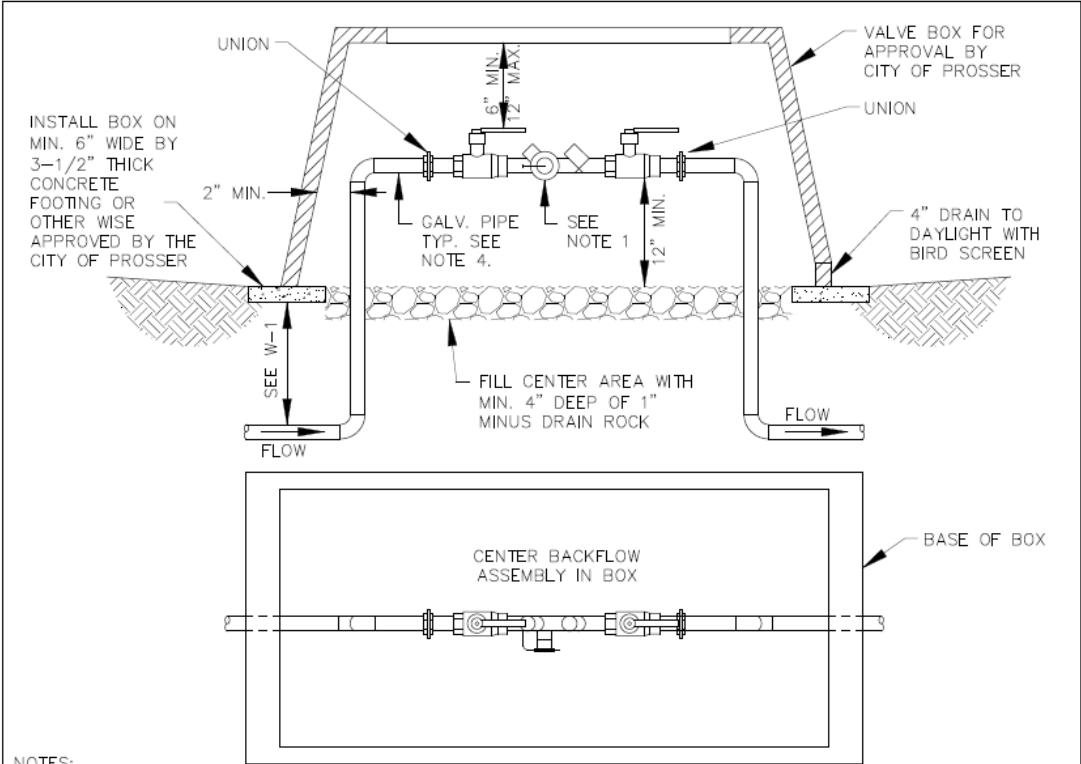
NOTE:
ONLY THE LATEST DETAIL, AS APPROVED BY THE DIRECTOR OF PUBLIC WORKS, SHALL BE USED.



Revision	Date	Description	Appr
ORIG.	12/17		

CITY OF PROSSER-STANDARD DETAIL	DCVA & DCDA DUAL INSTALLATION LARGER THAN 2"	W-12
--	---	-------------

Premise Isolation (3/4" to 2") – High Health Hazard



- NOTES:**
- MUST BE ON THE LATEST USC APPROVED LIST OF BACKFLOW PREVENTION ASSEMBLIES.
 - MUST BE INSTALLED IN THE ORIENTATION AS APPROVED BY THE USC TESTING LAB AND ACCEPTED BY THE DEPARTMENT OF HEALTH.
 - CITY OF PROSSER CROSS CONNECTION SPECIALIST MUST BE CONSULTED PRIOR TO INSTALLATION. PLEASE CALL 786-2037.
 - ASSEMBLY INSTALLATIONS ABOVE GROUND REQUIRE COPPER OR GALVANIZED PIPE MUST HAVE TWO UNIONS.
 - FREEZE PROTECTION IS THE RESPONSIBILITY OF THE OWNER.
 - WHEN INSTALLED INSIDE A BUILDING, A FLOOR DRAIN SIZED TO ACCEPT MAXIMUM DISCHARGE FROM THE RELIEF ASSEMBLY IS REQUIRED.
 - ALL PREMISES ISOLATION MUST BE INSTALLED DIRECTLY AFTER SERVICE METER. IF AN ALTERNATE LOCATION IS REQUIRED THE LOCATION MUST BE APPROVED BY THE CITY OF PROSSER CROSS CONNECTION SPECIALIST. IF THE UPC CALLS FOR BACKFLOW ASSEMBLY PROTECTION INSIDE THERE MUST ALSO BE PREMISES PROTECTION OF EQUAL OR GREATER PROTECTION LOCATED AT THE METER.
 - THESE BACKFLOW PREVENTION ASSEMBLY INSTALLATION STANDARDS REFLECT MINIMUM REQUIREMENTS TO COMPLY WITH WASHINGTON DEPARTMENT OF HEALTH REGULATIONS (WAC 246-290-490) AND UNIFORM PLUMBING CODE. UNAPPROVED DEVIATION MAY RESULT IN THE CITY REJECTING THE INSTALLATION AND THE CERTIFICATE OF OCCUPANCY AS WELL. ALL REQUESTS FOR DEVIATION TO THESE STANDARDS MUST BE SUBMITTED IN WRITING AND APPROVED BY THE CITY'S CROSS CONNECTION SPECIALIST.

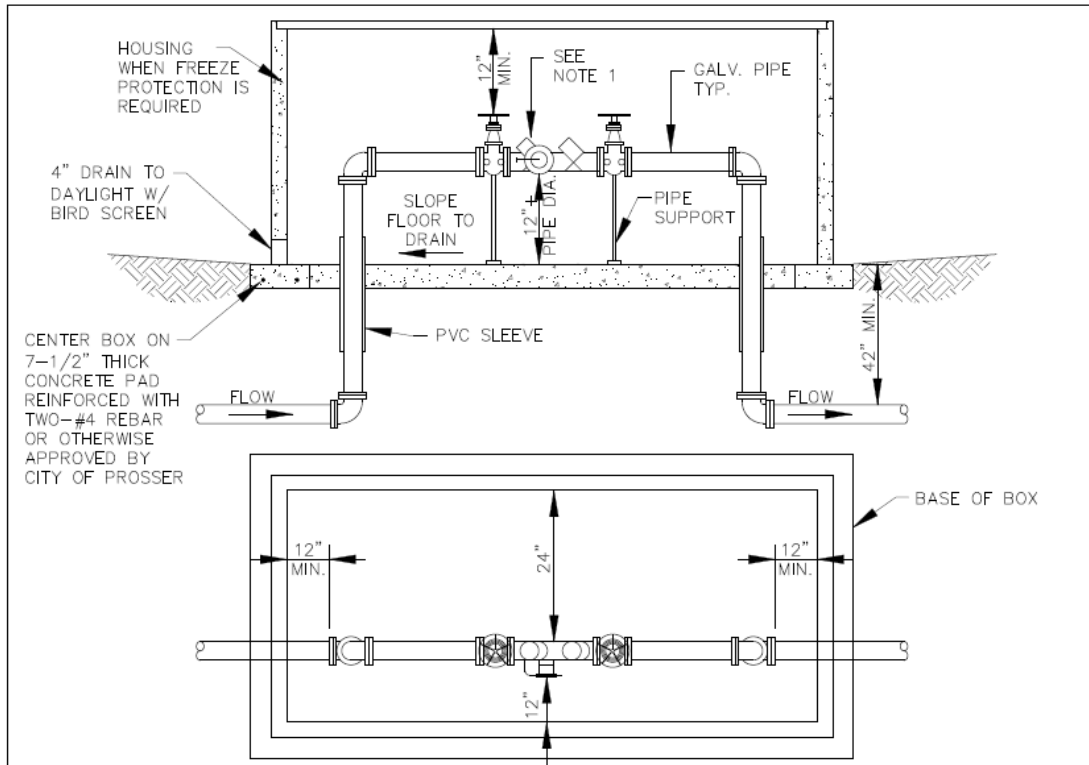
NOTE:
ONLY THE LATEST DETAIL, AS APPROVED BY THE DIRECTOR OF PUBLIC WORKS, SHALL BE USED.



ORIG.	12/17		
Revision	Date	Description	Appr

CITY OF PROSSER-STANDARD DETAIL	RPBA INSTALLATION OF 3/4" TO 2"	W-13
--	--	-------------

Premise Isolation (Greater than 2”) – High Health Hazard



NOTES:

1. MUST BE ON THE LATEST USC APPROVED LIST OF BACKFLOW PREVENTION ASSEMBLIES.
2. MUST BE INSTALLED IN THE ORIENTATION AS APPROVED BY THE USC TESTING LAB AND ACCEPTED BY THE DEPARTMENT OF HEALTH.
3. CITY OF PROSSER CROSS CONNECTION SPECIALIST MUST BE CONSULTED PRIOR TO INSTALLATION. PLEASE CALL 786-2037.
4. PVC SLEEVE TO EXTEND 6" ABOVE AND 12" BELOW CEMENT PAD TO ALLOW FOR SETTLEMENT OF PAD.
5. FREEZE PROTECTION IS THE RESPONSIBILITY OF THE OWNER.
6. THE BACKFLOW ASSEMBLY IS TO BE TESTED AT THE TIME OF INSTALLATION BY A CERTIFIED TESTER APPROVED BY THE CITY UNLESS PRE-APPROVED BY THE CROSS CONNECTION SPECIALIST.
7. PREMISES ISOLATION MUST BE INSTALLED DIRECTLY AFTER THE SERVICE METER. IF ALTERNATE LOCATION IS REQUIRED THE LOCATION MUST BE APPROVED BY THE CITY OF PROSSER.
8. THESE BACKFLOW PREVENTION ASSEMBLY INSTALLATION STANDARDS REFLECT MINIMUM REQUIREMENTS TO COMPLY WITH WASHINGTON DEPARTMENT OF HEALTH REGULATIONS (WAC 246-290-490) AND UNIFORM PLUMBING CODE. UNAPPROVED DEVIATION MAY RESULT IN THE CITY REJECTING THE INSTALLATION AND THE CERTIFICATE OF OCCUPANCY AS WELL. ALL REQUESTS FOR DEVIATION TO THESE STANDARDS MUST BE SUBMITTED IN WRITING AND APPROVED BY THE CITY'S CROSS CONNECTION SPECIALIST.

NOTE:
ONLY THE LATEST DETAIL, AS APPROVED BY THE DIRECTOR OF PUBLIC WORKS, SHALL BE USED.



ORIG.	12/17		
Revision	Date	Description	Appr